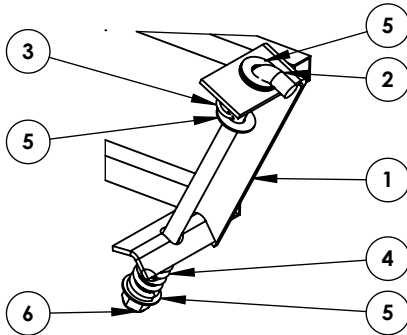
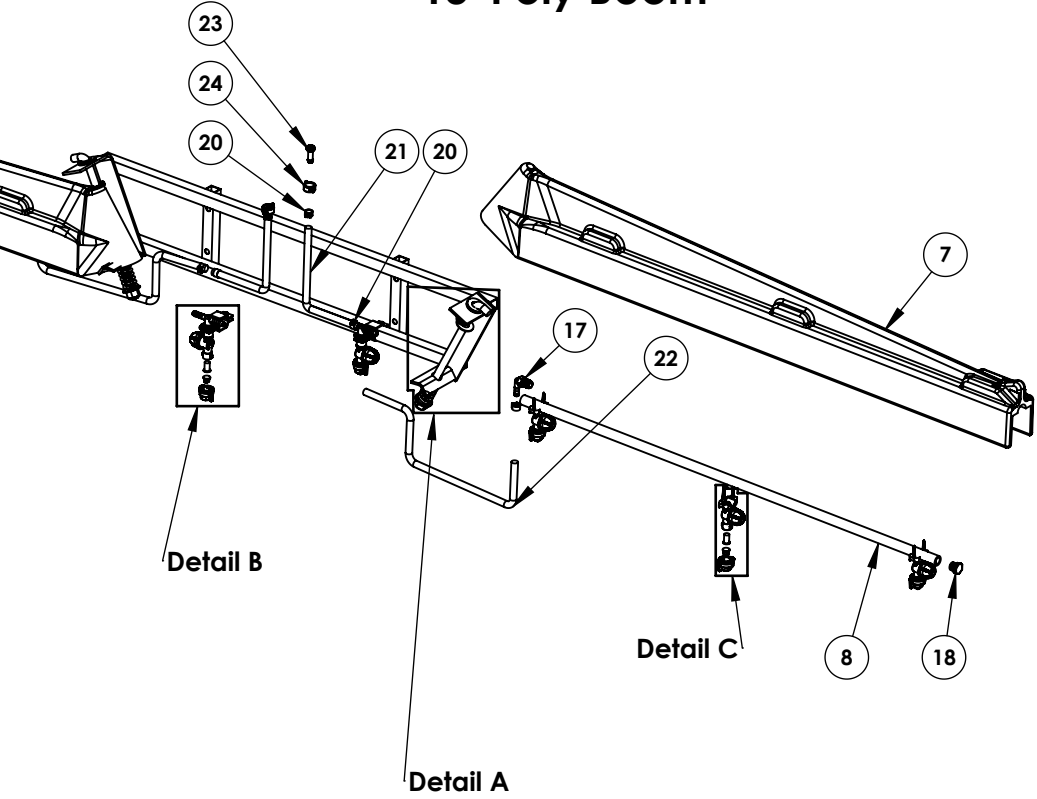
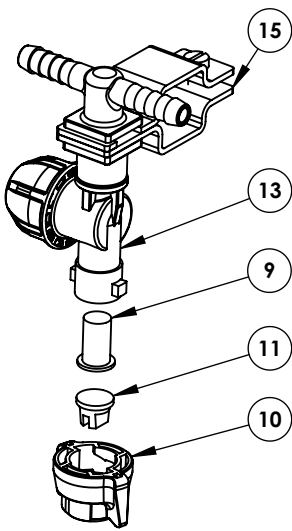
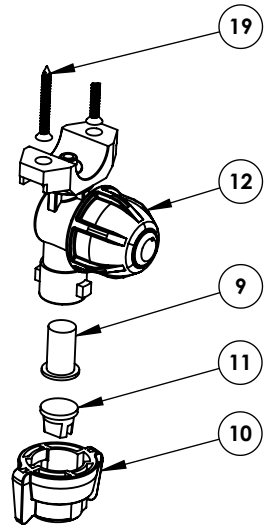


13' Poly Boom





Detail B



Detail C

ITEM NO.	PART #	Description	QTY.
1	AZB013	Poly Boom 13FT Frame	1
2	CHBG064525	5-8 Bolt for Boom Wings	2
3	CHCZ0007	1-8 in cotter pin	2
4	CHPZBP	Boom Spring	2
5	CHWGF065	5/8 Flat Washer	10
6	CHNZN0625	5-8 Nyloc Nut	2
7	AMABP13S	Poly Section of PB13	2
8	ASBP002	Poly Pipe Section 44 IN	2
9	CNSS100	100 Mesh Nozzle Screen	8
10	CA40290003	Quick Fitting Cap Red	8
11	CNSNP002	Teejet Polymer Spray Tip 0.2 GPM	8
12	CA402235	Poly Boom Nozzle Body For Poly	6
13	CA413221	3-8 Single Barb x QA with Check Valve	2
15	CA413014	25MM Varisparing Clamp	2
17	CV3EL38	3/8 mpt x 3/8 HB 90	2
18	CFPP01M	3-8 MPT Poly Hex Plug	2
19	CHSS900643	1.25" SS Phillips Wood Screw	12
20	CFCC002	CLAMP FOR 3/8 HOSE	8
21	CLUESB020001	.375 hose for 13' poly boom center	2
22	CLUESB020001	.375 Hose for 13' PB from wing to center	2
23	CFBU01BW	.375 Union Nipple-washer	2
24	CFBU02WN	Union .5 Wing Nut	2